



## Installation Instructions

# 717987

2011-2019 Chevrolet/GMC 2500 HD

WITH 6.0L ENGINE

2- or 4-WHEEL DRIVE

Extended Cab or Crew cab with 6.5" Bed Only

(Note: may not fit with some fifth wheel hitches)

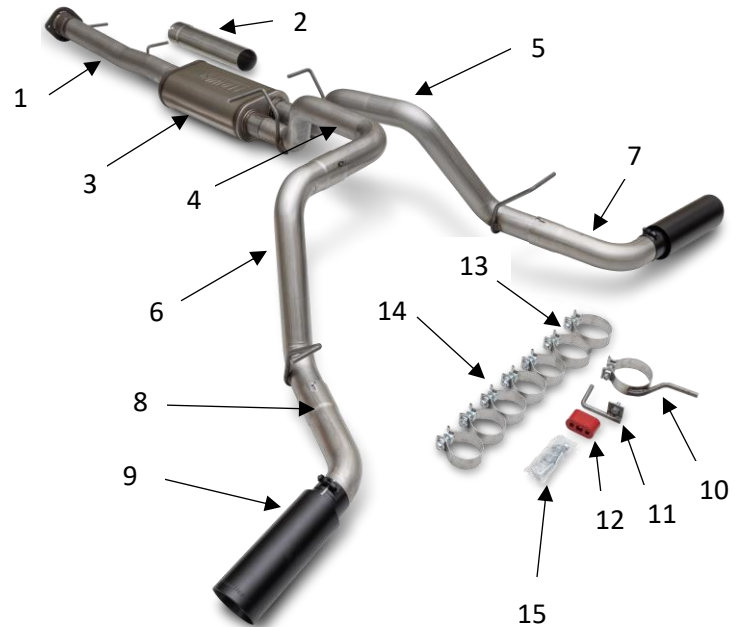
Installation requires moderate mechanical skill. If this job is beyond your abilities, seek the services of a qualified technician.

If you do not understand any part of these instructions, please call Flowmaster Technical Support at (866) 464-6553 for assistance.

Apply penetrating oil generously to clamps, fasteners, pipes, and hanger rods for ease of disassembly.

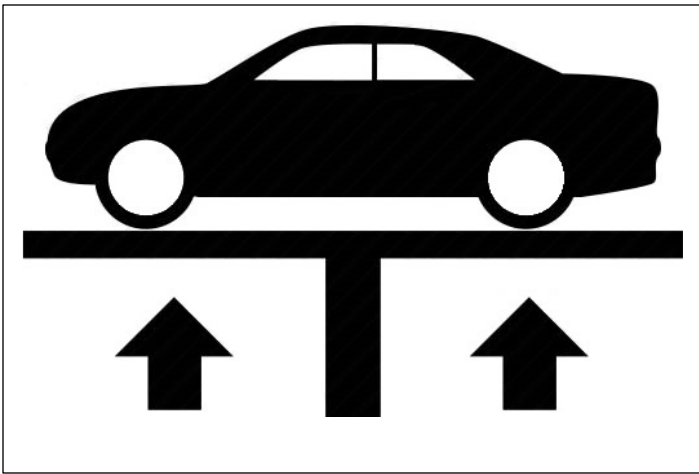
### REVIEW THE INSTRUCTIONS & VERIFY THE KIT CONTENTS

Take a moment to read and understand these instructions before installing your Flow FX exhaust kit.



ITM#	Part #	Description	Qty.
1	36059M	Inlet Pipe Assembly	1
2	36085M	Extension Pipe	1
3	72595-Z	Muffler	1
4	26402M	Left Front Tailpipe	1
5	26403M	Right Tailpipe	1
6	26404M	Left Rear Tailpipe	1
7	26405M	Right Side Exit	1
8	26406M	Left Side Exit	1
9	ST462B	Tips	2
<b>Hardware Kit PK 1095</b>			
10	518HA	Clamp Hanger	1
11	226HA	Frame Hanger	1
12	HA168	Red Rubber Hanger	1
13	MC350BS	3 1/2" Band Clamp	2
14	MC300BS	3" Band Clamp	5
15	HW209	3/8-16X 1 1/4" HC Screw	1
	HW211	3/8-16X 2" HC Screw	2
	HW303	3/8" Flat Washer	3
	HW309	3/8" Lock Washer	3
	HW103	3/8" Z5 FH Nut	3
	HW502	7/16" Hanger Keeper	1
	HW503	1/2" Hanger Keeper	6
	HW504	Cable Tie	1

Use the parts drawing and list to verify your kit's contents. In the unlikely event that any parts are missing, please contact Flowmaster Technical Support for replacements.



## Vehicle Compatibility

Model Year: 2011- 2019

Make: Chevrolet /GMC 2500 HD

Engine: 6.0L only

Extended Cab: (144.2" WB) with 6.5' bed only

Crew Cab: (153.7" WB) with 6.5' bed only

\* Crew Cab requires the Extension pipe be installed

\* May not be compatible with some 5<sup>th</sup> wheel hitch Assemblies

### BEFORE STARTING:

Your vehicle must be raised a minimum of 18 inches. A floor hoist is ideal. If no hoist is available, we strongly urge the use of axle stands as a safety measure. **Please read and understand these instructions and disclaimer in their entirety before attempting installation.**

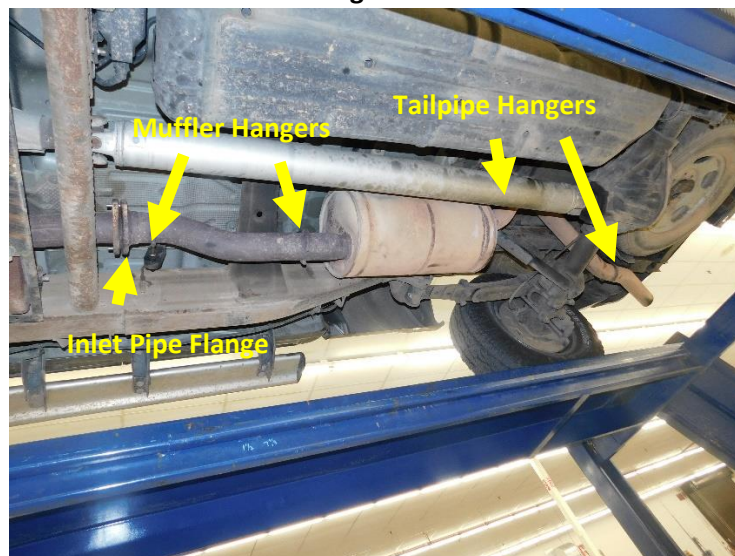
**CAUTION! WORK ONLY ON A LEVEL SURFACE. USE JACKS /JACK STANDS OF SUFFICIENT CAPACITY TO LIFT AND SUPPORT YOUR VEHICLE. NEVER WORK UNDER A VEHICLE SUPPORTED BY A FLOOR OR BUMPER JACK.**

### Removing the OEM Exhaust:

**NOTE:** The factory Exhaust system is one welded assembly and although not necessary, cutting the factory tail pipe just after the muffler will greatly simplify the removal of the factory exhaust.

1. Remove the spare tire.
2. Apply penetrating oil to the (x2) 15mm nuts at the inlet pipe flange and each rubber Hanger on the exhaust.
3. Remove the (x2) 15mm nuts at the flange connecting the muffler inlet pipe to the factory Y-pipe just after the catalytic converter (**Fig. 1**).
4. Support the muffler and inlet pipe assembly.
5. Remove the rubber exhaust hangers from the inlet pipes and muffler hanger then remove the muffler assembly (**Fig. 1**).
6. Remove the rubber tailpipe hangers and remove the tailpipe.

Figure 1



## INSTALL YOUR FLOWMASTER EXHAUST SYSTEM



Before installing clamps in the following steps, remove their nuts, apply anti-seize compound to the bolt threads, and re-install the nuts.

MODEL YEAR	CAB	BED	EXTENSION PIPE
2011/2012	Extended 144.2"	6.5'	Trim to 7" Long
2013 /2019	Extended 144.2	6.5'	NONE REQUIRED
2011/2012	Crew 153.7"	6.5'	Use as shipped
2013 /2019	Crew 153.7"	6.5	Trim to 10" long

Due to variations in production, some **2013** vehicles may need the extension pipe length listed above for 2011/2012 vehicles.

**IMPORTANT!** Review the table above to determine if the supplied extension pipe is required for your Installation.

1. Install the Flowmaster Inlet pipe **(1)**, align the corresponding rubber hangers on the frame and align the flange with the Factory Y-pipe **(Fig. 2)**.
2. Install the **(x2)** supplied **3/8-16 x 2"** bolts through the flange of the inlet pipe and into the flange on the factory Y-pipe **(Fig. 2)**.
3. Install a **3/8 flat washer, lock washer, and nut** on to each Bolt **(Fig. 2)**.

**NOTES:** 153.7" WB crew cab trucks will only use the forward hanger. The second hanger on the inlet pipe will not be used and can be trimmed off, if desired. The supplied clamp hanger **(10)** will be used for the second hanger with the extension pipe **(see table above)** as outlined in **Step 4, Step 5, and Step 6.**

Figure 2

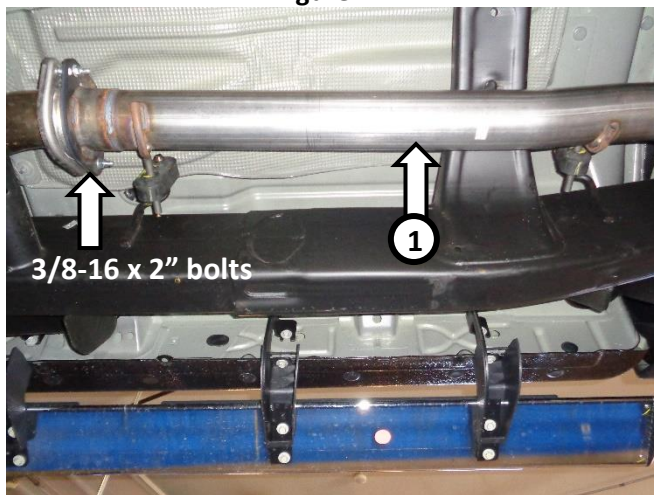
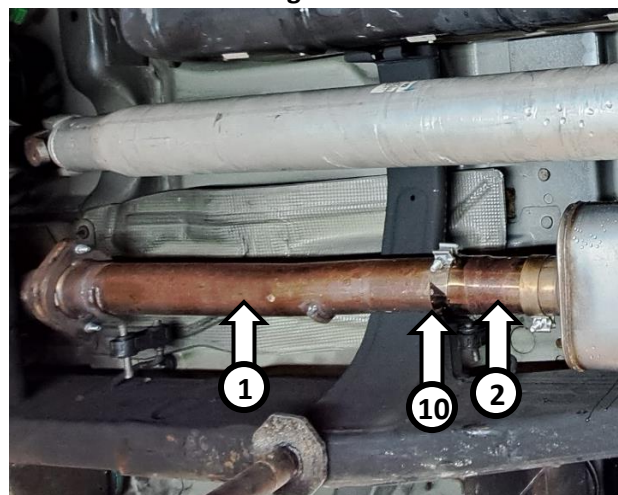


Figure 3

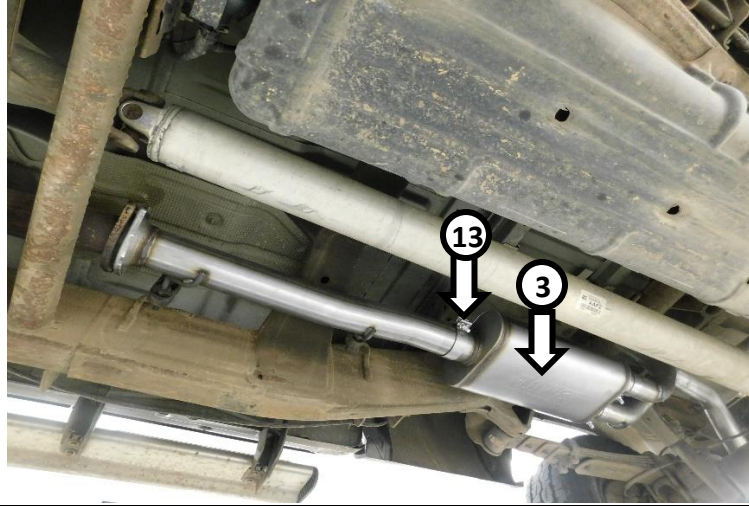


**153.7" Crew Cab Truck Only** – (See table above for correct extension pipe trim length if required)

4. Install the **clamp hanger (10)** on to the expanded end of the **extension pipe (2)** with the rod on the bottom of the clamp **(Fig. 3)**.
5. Install the extension pipe on to **inlet pipe (1)** fully to the bottom of the slip fit.

6. Install the hanger rod through the Rubber hanger and tighten the clamp to hold the parts in place. (Fig. 3).
7. Install a 3.5" band clamp (13) onto the muffler inlet. Install the muffler (3) on to the inlet pipe/extension pipe 3.0" deep. Tighten the clamp just enough to hold the muffler in place while the tailpipes are installed. Support the muffler (Fig. 4).

Figure 4 (extended cab shown)



8. Install a 3" band clamp (14) on to each of the muffler outlets. Install the left front tailpipe (4) into the left muffler outlet and insert the hanger rod into the rubber hanger (H) on the frame (Fig. 5).
9. Align the left front tailpipe (4) with the outlet facing the driver's side frame rail. Tighten the clamp on the muffler outlet enough to hold the pipe in place but allow for adjustment later (Fig. 6).

Figure 5

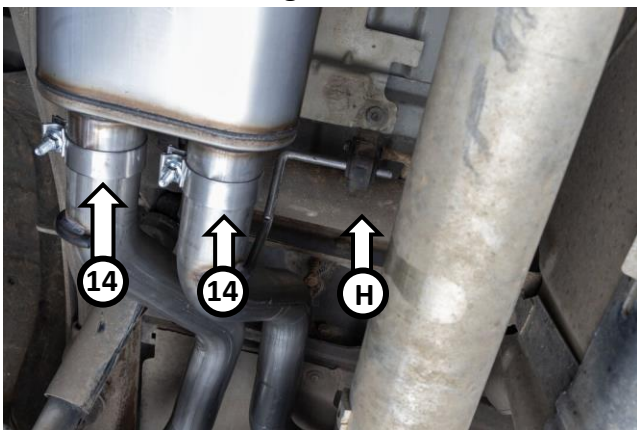
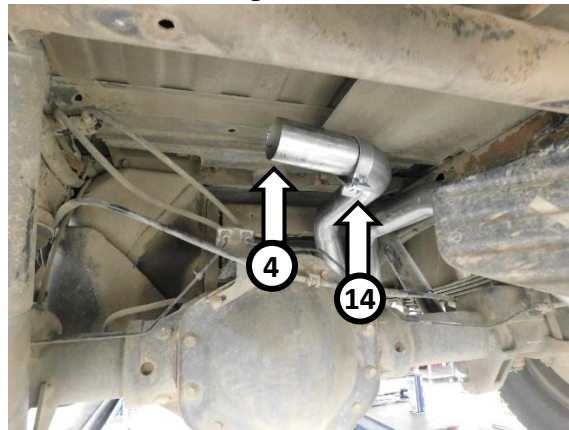
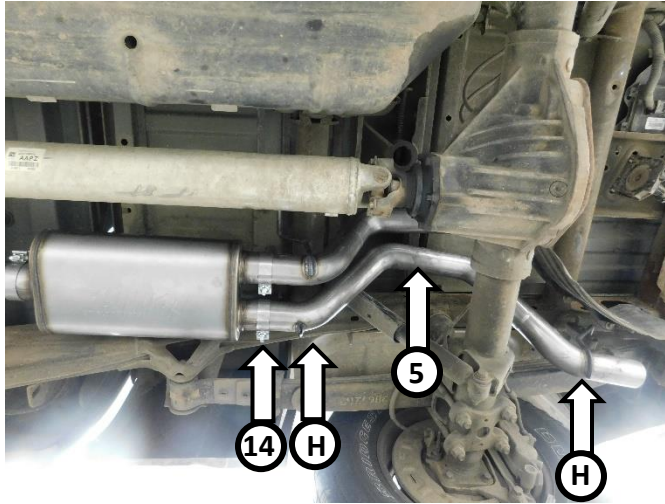


Figure 6



10. Install the right tailpipe (5) over the axle. Install the inlet of the right tailpipe (5) into the right muffler outlet pipe (Fig. 7).
11. Install the hanger rod (H) into the rubber hanger on the frame above the muffler and the rubber hanger at the frame near the end of the tailpipe (Fig. 7).

Figure 7



- 
12. Install the left frame hanger assembly by installing the supplied 3/8-16 x 1 1/4" bolt and 3/8 washer (15) through the 1" hole in the left inboard frame rail (Z) (Fig. 8). Then, passing through the outboard frame rail using a 6" extension to hold the bolt and washer (Fig. 9).
  13. Install the frame hanger assembly (11) with the rod facing inward towards the spare tire. Install the 3/8 lock washer and nut (X) then tighten (Fig. 10).
  14. Install the red rubber hanger on to the frame hanger rod (12) (Fig. 11 next page).

Figure 8

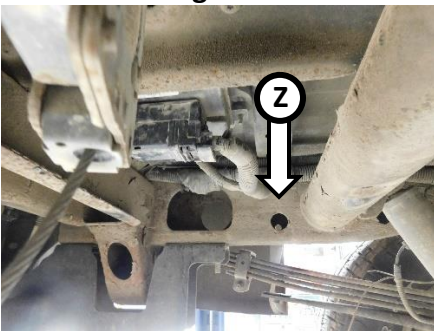
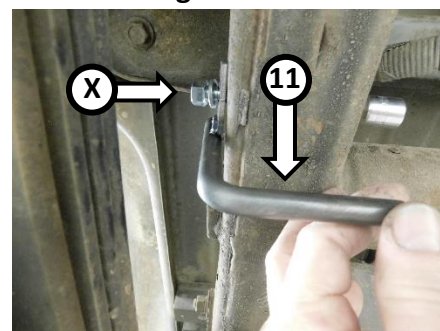


Figure 9



Figure 10



15. Install the left rear tail pipe (6) onto the outlet of the left front tailpipe (4) (Fig. 11).
16. Install the hanger rod (H) into the red rubber hanger (12) on the frame hanger rod (11).

17. Align and tighten the 3" clamp (14) to hold the pipe in place, but still allow for adjustment.

Figure 11

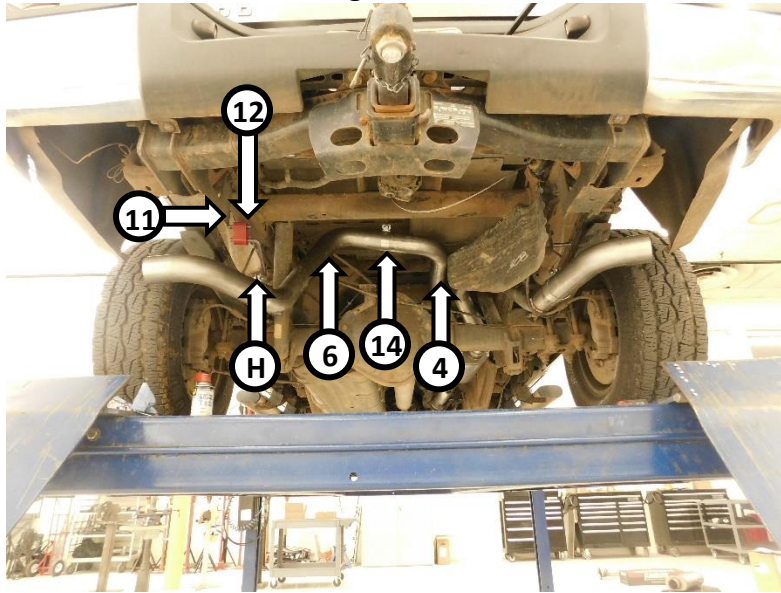
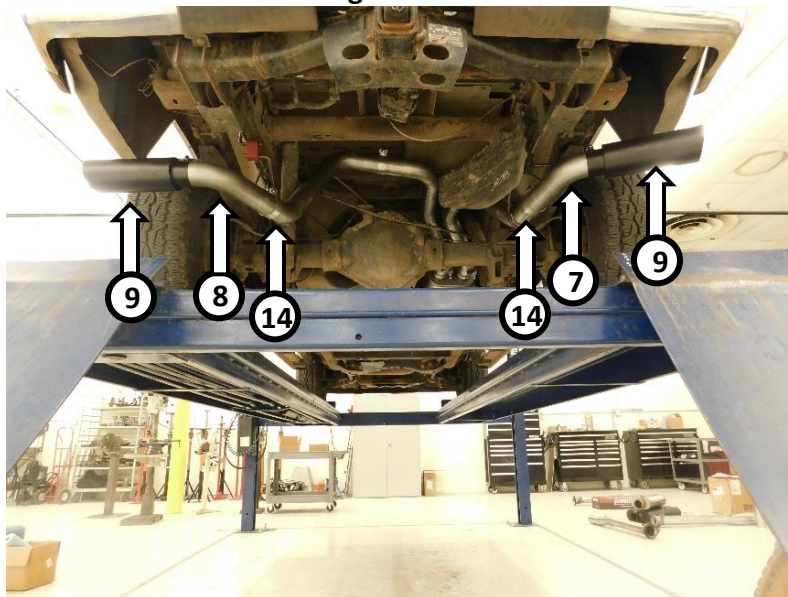


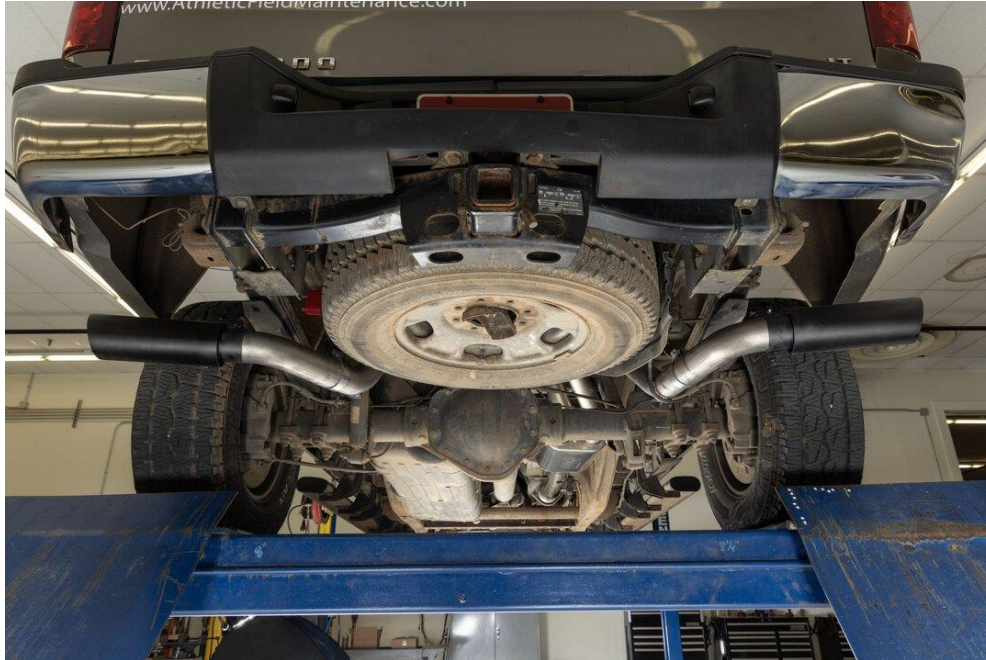
Figure 12



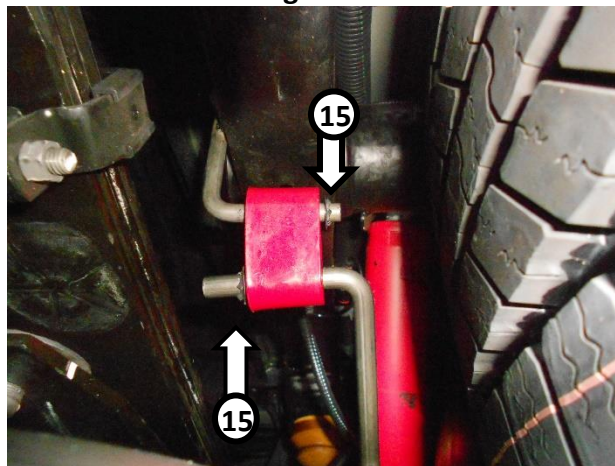
18. Install a 3" band clamp (14) on to each right side exit pipe (7) and left side exit pipe (8).
19. Install the right side exit pipe (7) with the 72 degree bend on to the tailpipe (Fig. 12).
20. Install the left side exit pipe (8) with the 60 degree bend on to the tailpipe (Fig. 12).
21. Tighten the clamps to hold the pipes, but allow for adjustment.
22. Install the ST462B tips (9) and tighten the clamps to allow for adjustment.
23. Install the spare tire into the vehicle. Adjust the spare tire as far to the passenger's side as possible to gain clearance at the left tailpipe (Fig. 13).

24. Starting at the front of the exhaust system, align the pipes and tighten the clamps to achieve a  $\frac{3}{4}$ " gap to all components (fingers width).
25. Align the tips as desired and tighten the clamps.
26. Install the  $\frac{7}{16}$ " hanger rod keepers (15) on to the left frame hanger and the  $\frac{1}{2}$ " keepers on to the remaining hanger rods to hold them in the desired position (Fig. 14).

**Figure 13**



**Figure 14**



**NOTE:**

**Your Flowmaster exhaust may emit smoke after installation. This is normal break-in and will subside after the first few miles of driving.**



**Enjoy Your Flowmaster Exhaust!**