



**Installation Instructions**  
**717927**  
**Cat Back Exhaust**  
**2020-2026 GM 2500/3500 HD**  
**6.6L GAS Engine**  
**All wheel Bases**

Installation requires moderate mechanical skill. If this job is beyond your abilities, seek the services of a qualified technician.

If you do not understand any part of these instructions, please call Flowmaster Technical Support at (866) 464-6553 for assistance.

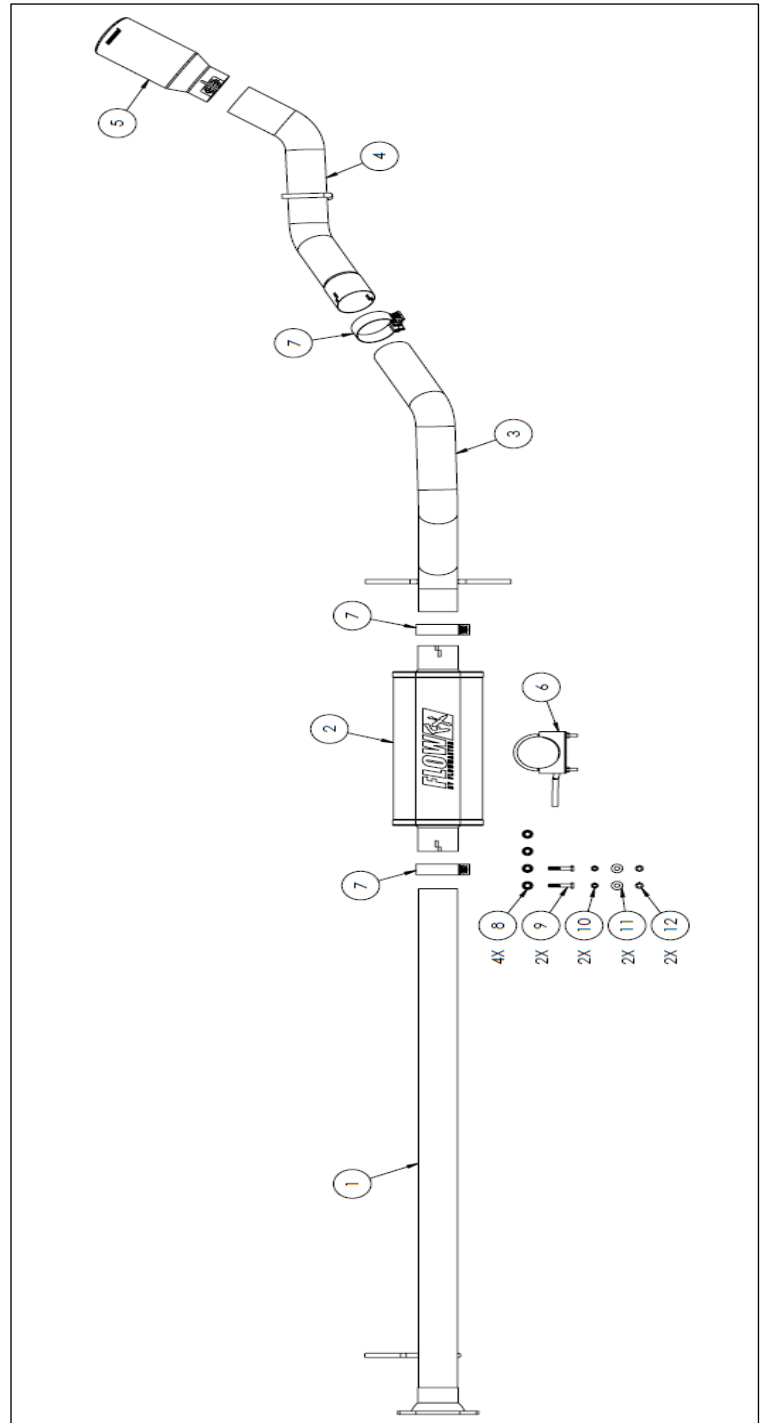
Apply penetrating oil generously to clamps, fasteners, pipes, and hanger rods for ease of disassembly.

**REVIEW THE INSTRUCTIONS & VERIFY THE KIT CONTENTS**

Take a moment to read and understand these instructions before installing your Flowmaster exhaust kit.

ITM#	Part #	Description	Qty.
1	360100M	Muffler Inlet Pipe	1
2	74151-Z	Muffler	1
3	36101M	Tail Pipe Front	1
4	36102M	Tail Pipe Rear	1
5	ST508B	Black Tip	1
6	548HA	Clamp Hanger	1
7	MC350BS	3.5" Band Clamp	3
8	HW503	1/2" Push Nut Retainer	4
9	HW211	3/8-16 X 2" Bolt	2
10	HW103	3/8-16 Nut	2
11	HW303	3/8 Flat Washer	2
12	HW309	3/8 Lock Washer	2

Use the parts drawing and list to identify components and verify your kit's contents. In the unlikely event that any parts are missing, please contact Flowmaster Technical Support for replacements.



## Vehicle Compatibility

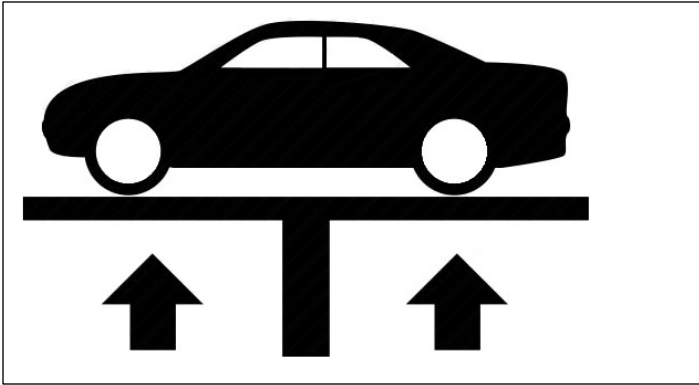
Model Year: 2020-2026

Make: GM

Model: 2500/3500 HD

Engine: 6.6L GAS

- All Wheel Bases
- Will Work with Dual Rear Wheel Trucks



### BEFORE STARTING:

Raise the vehicle to a minimum of 12 inches. A floor hoist is ideal. If no hoist is available, we strongly urge the use of axle stands as a safety measure. **Please read and understand these instructions and disclaimer in their entirety before attempting installation.**

**CAUTION! WORK ONLY ON A LEVEL SURFACE. USE JACKS /JACK STANDS OF SUFFICIENT CAPACITY TO LIFT AND SUPPORT YOUR VEHICLE. NEVER WORK UNDER A VEHICLE SUPPORTED BY A FLOOR OR BUMPER JACK**

### Removing the OEM Muffler and Tail pipe assembly- Fig.1

**Note:** Cutting the tail pipe at the muffler will make removing the OEM exhaust much less difficult but is not necessary.

Apply penetrating oil to each rubber exhaust Hanger.

1. Remove the spare tire and heat shield – (Not necessary if cutting the tail pipe)
2. Remove the (x2) 15mm nuts at the muffler inlet pipe flange. **Fig.1**
3. **Support the exhaust (muffler)**
4. Remove the exhaust hanger isolators
5. **One piece removal** - Remove the entire exhaust by dropping the front pipe as you snake the tail pipe out over the rear axle. **If cutting the tail Pipe** - Simply remove the tail pipe, then remove the muffler and Inlet pipe.

**Attention:** Have a second person available to help remove the exhaust as an assembly from the vehicle and take care not to damage brake lines or the drive shaft as you remove the exhaust.

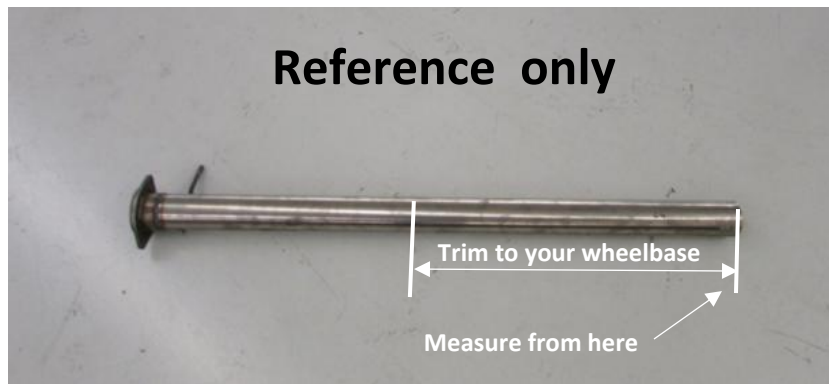


**Figure.1**

## Installation -717927 Exhaust

1. \*Trim the 36100M Inlet pipe (1) to match your vehicle wheelbase using the chart below.

wheelbase	Body Style	Bed length	Trim Required
141.5"	Regular Cab	8 FT	30.5"
149.4"	Double Cab	6.5 FT	22.5"
159"	Crew Cab	6.5 FT	13.0"
162.5"	Double Cab	8 FT	9.5"
172"	Crew Cab / Dually	8 FT	NO TRIM



2. Using a Standard hammer or pneumatic air hammer, remove the OEM Studs in the flange at the Y pipe **Fig.2**



Figure.2

## Installation -717927 Exhaust

Figure. 3

3. Install the Inlet pipe (1) using the supplied 3/8 bolts (9), Flat washers (10), Lock washers (11) and Nuts (12). **Do not tighten.**
4. Install the forward hanger rod into the hanger isolator on the frame rail.
5. Install the supplied Clamp Hanger (6) on to the Inlet pipe with the rod on top and the wire hoop at the bottom. **(Not used on 141" WB)**
6. Align the clamp hanger rod with the hanger isolator on the frame rail. Install the rod into the isolator, tighten the clamp to allow for adjustment
7. Install a supplied 3.5" band clamp (7) on to the muffler (2) inlet and outlet.
8. Install the muffler (2) on to the inlet pipe (1) with the logo running front to back and the seam to the inside. **Support the muffler.**
9. Tighten the inlet clamp (7) to hold the muffler in place but allow for adjustment.

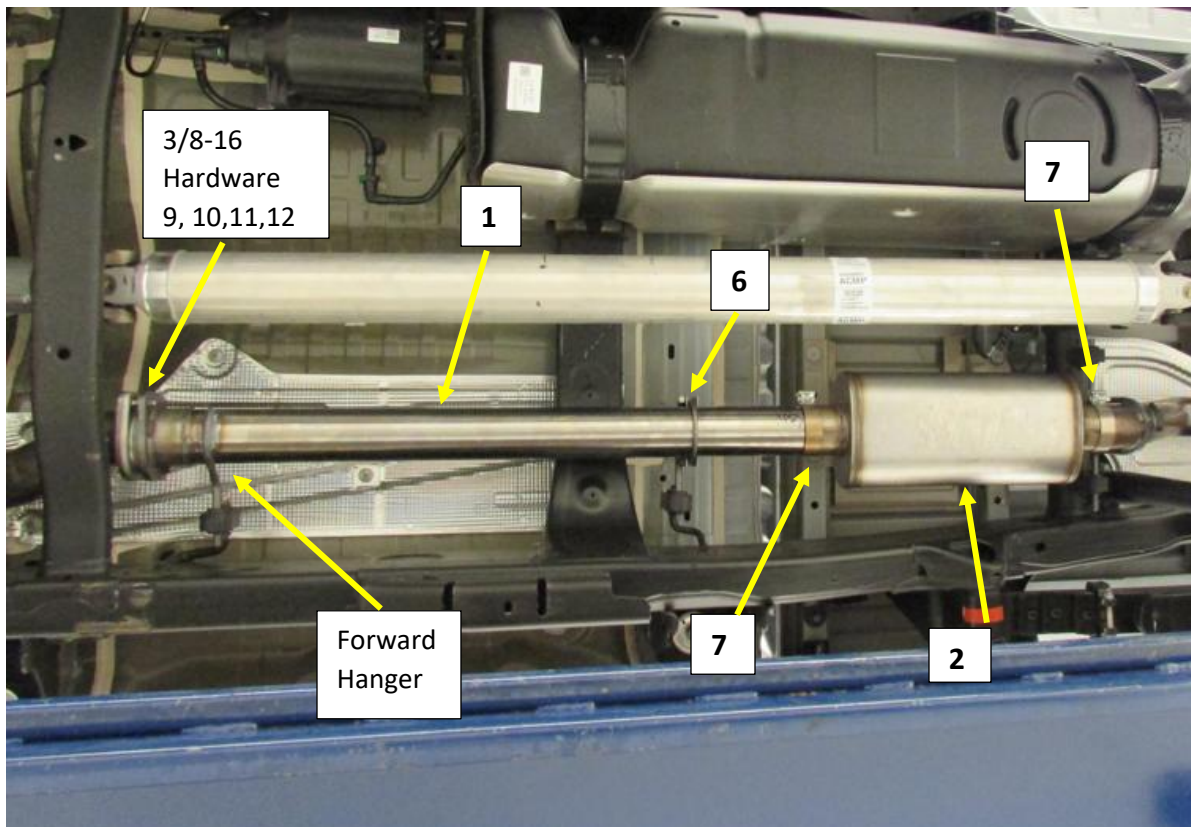
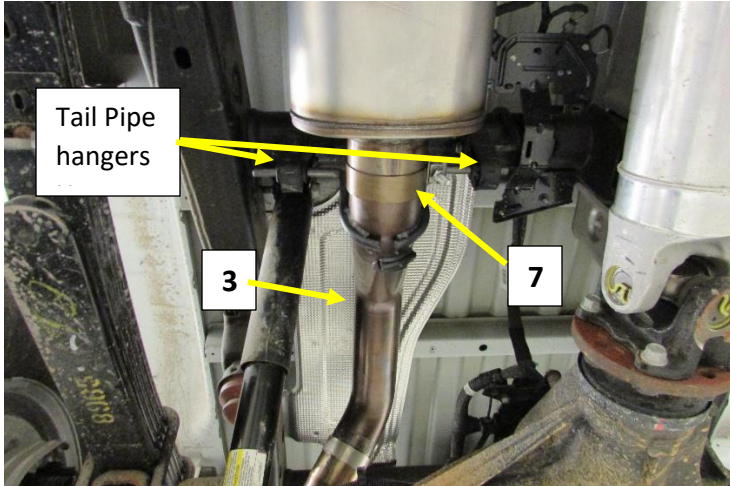


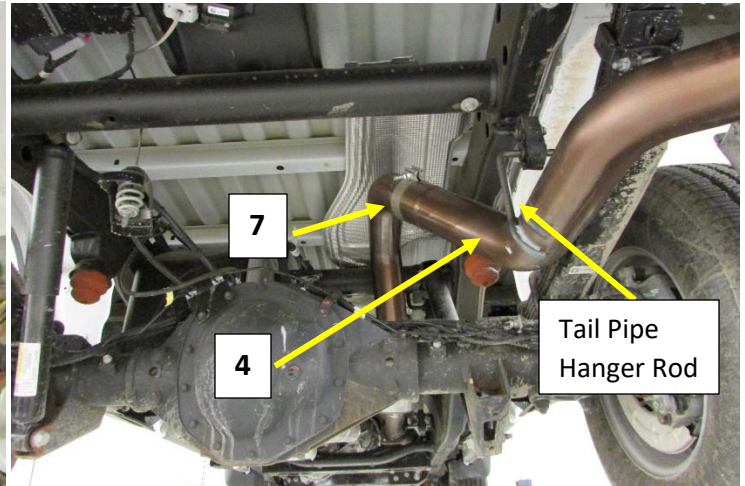
Figure. 3

## Installation -717927 Exhaust

10. Install the front tail pipe section (3) over the axle from the rear and into the muffler. **Fig.4**
11. Install the tail pipe hanger rods into the isolators. **Fig.4**
12. Tighten the clamp (7) to allow for adjustment.

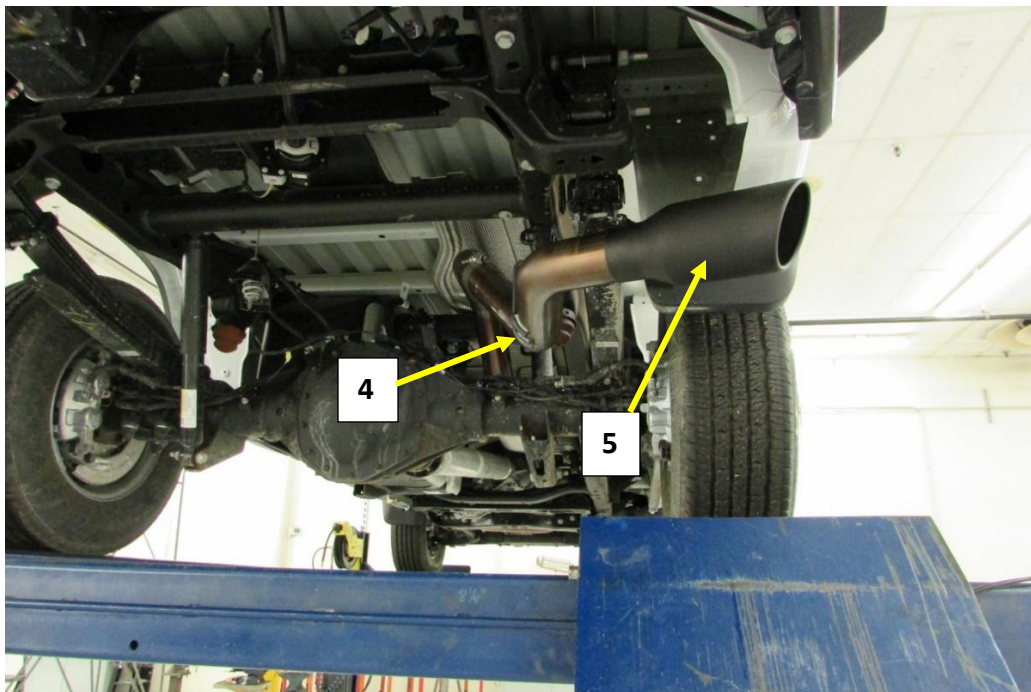


**Figure. 4**



**Figure. 5**

13. Install a 3.5" band clamp on to the expanded and notched end of the Rear tail pipe section (4). **Fig.5**
14. Install the rear tail pipe (4) on to the front tail pipe (3) and install the hanger rod into the isolator. **Fig.5**
15. Tighten the clamp on the tail pipe to allow for adjustment.
16. Install the tip (5) on to the tail pipe (4) and tighten the clamp to allow for adjustment. **Fig.6**



**Figure. 6**

## Installation -717927 Exhaust

17. Start at the front flange and adjust the system for best alignment and clearance, tighten all hardware and clamps as you go.
18. Make a second pass through the system and make any necessary adjustments.
19. Install the supplied push nut retainers **(8)** on to the hanger rods to prevent the system from moving.



# Enjoy Your Flowmaster Exhaust!

